

LEVER

PRODUCT CODE: 200466

EUROPEAN PATENT: EP 1479482 B1



ISTRUZIONI PER L'USO



INSTRUCTION FOR USE



MODE D'EMPLOI



GEBRAUCHSANWEISUNG



INSTRUCCIONES



INSTRUÇÕES DE USO



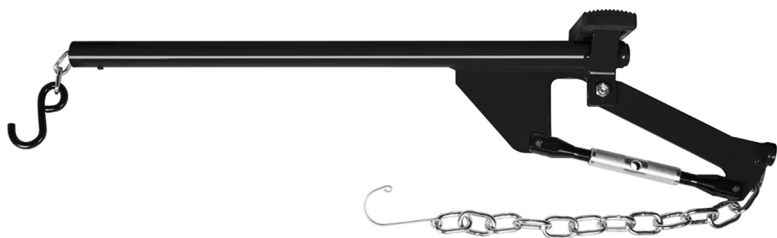
GEBRUIKSAANWIJZING



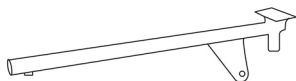
INSTRUKCJA OBSŁUGI



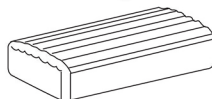
1. HOW TO USE



01 BODY



06 BUFFER



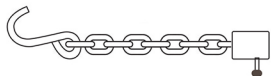
02 ARMS



03 TENSION



04 BODY CHAIN

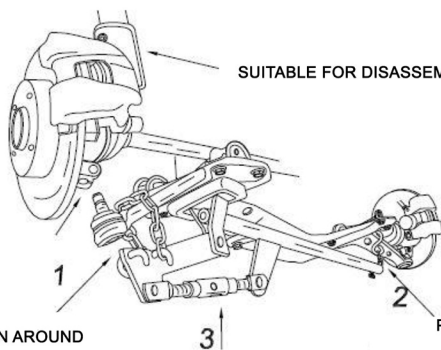
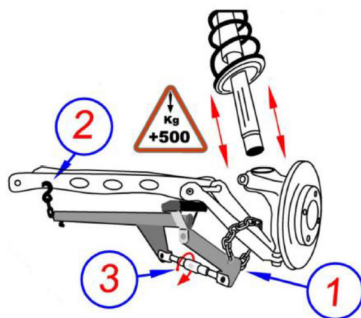
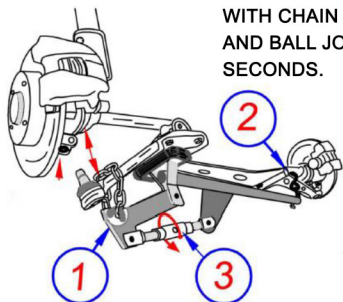


05 ARM CHAIN



2. HOW TO USE

THE UNIVERSAL FRONT AXLE FORCE LEVER WITH CHAIN IS USED TO REMOVE THE WISHBONES AND BALL JOINTS FROM ANY MOTOR VEHICLE IN SECONDS.



SUITABLE FOR DISASSEMBLING SHOCK ABSORBERS

1 PLACE THE CHAIN AROUND THE SWIVEL ARM

3 TURN THE SLEEVE (MAX 20 NM) TO PROCEED WITH THE EXTRACTION

2 PUT THE HOOK AT THE DESIRED LOCATION

